

VBF Series (Bellows & Flat)

Feature and strengths

- Enhancing the adhesion to the surface
- Good lifting force can be achieved with this pad in the vertical plane
- Prevent transformation when lifting metal thin plate



Suitable for handling

- Vaneer sheets
- Sheet metal
- Automotive panel and door
- Plywood
- Glass



Order No.

VBF100 PU F - 12F - - L1230 - BJ12

①
②
③
④
⑤
⑥
⑦

① Suction cup Ø

- VBF30 - Ø30
- VBF40 - Ø40
- VBF50 - Ø50
- VBF60 - Ø60
- VBF80 - Ø80
- **VBF100** - Ø100

④ Thread size

- 18F - G1/8" female (VBF 30,40,50,60,80,100)
- 14F - G1/4" female (VBF 30,40,50,60,80,100)
- 38F - G3/8" female (VBF 30,40,50,60,80,100)
- 12F - G1/2" female (VBF 60,80,100)
- 14M - G1/4" male (VBF 30,40,50,60,80,100)
- M10M - M10xP1.5 male (VBF 30,40,50,60,80)

② Material

- **PU** - Poly Urethane
- WPU - Poly Urethane

③ Filter

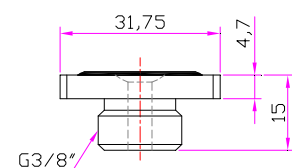
- No mark - Standard
- **F** - With filter (PE)*

* : Available only Ø60, Ø80, Ø100

⑤ Quick mount adaptor

- No mark - Standard
- QA - Quick mount adaptor**

** Only for G 3/8" female and level compensator is not available



Accessories

⑥ Level compensator

⑦ Ball joint

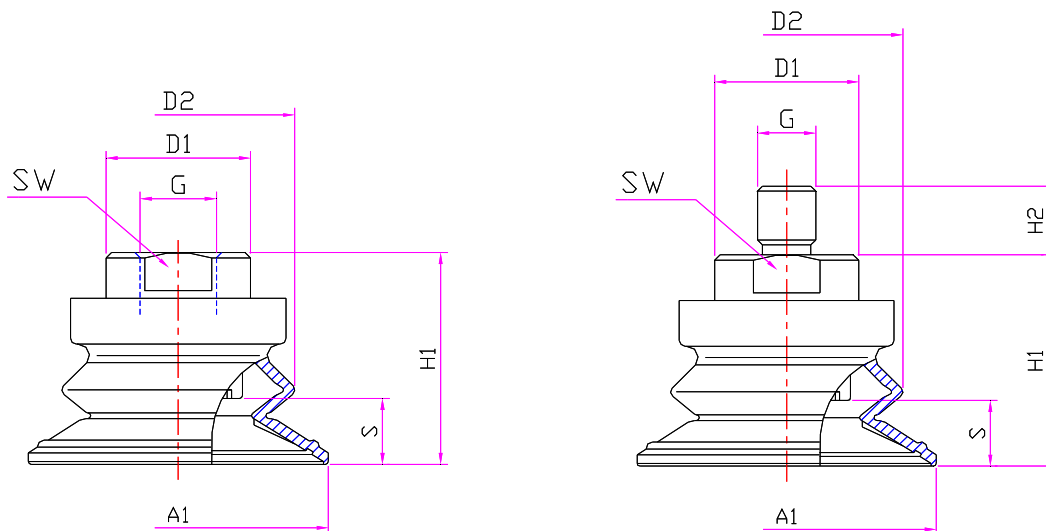
Level compensator	Stroke (mm)	Ball joint
L1805F, L1805M	5	BJ 18
L1810T, L1810TS, L1810TSE	10	
L1810TS-M10F		
L1815T, L1815	15	
L1820T, L1820TS	20	
L1830, L1830T, L1830TS	30	
L1850, L1850T	50	
L1820TN (Non-rotate)*	20	
L1230, L1230T	30	BJ 12
L1250, L1250T	50	

* Not available with Ball joint (BJ)

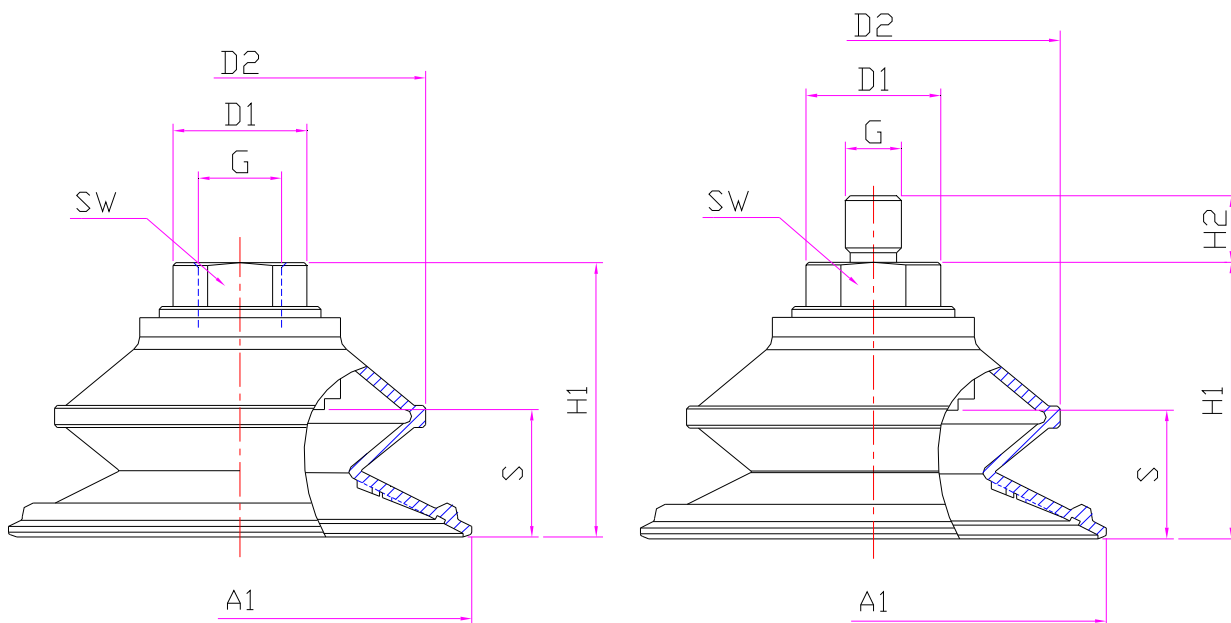
Recommended (max.) lifting force.

Model	Volume (cm ³)	Perpendicular lifting force (kgf) at vacuum level			Parallel lifting force (kgf) at vacuum level		
		-20 kPa	-60 kPa	-90 kPa	-20 kPa	-60 kPa	-90 kPa
VBF 30PU	6	1.77	6.26	9.48	0.86	3.09	7.75
VBF 40PU	7.2	2.5	9.66	12.8	1.18	6.5	11.3
VBF 50PU	11	4.18	13.2	16.28	2.09	9.6	14.7
VBF 60PU	22	8.94	16.26	18.54	6.84	12.84	16.92
VBF 80PU	59.5	11.92	21.68	24.72	9.12	17.12	22.56
VBF 100PU	103.5	14.9	27.1	30.9	11.4	21.4	28.2

Dimensional information



▲ VBF 30 PU, VBF 40PU, VBF 50 PU



▲ VBF 60 PU, VBF 80PU, VBF 100 PU

Dimensional information

Model	A1	G	H1	H2	SW	S	D1	D2
VBF30 PU - 18F	32	G1/8" female	28	-	17	7	19.8	32
VBF30 PU - 14F		G1/4" female	28	-	17		19.8	
VBF30 PU - 38F		G3/8" female	44	-	17		-	
VBF30 PU - 14M		G1/4" male	28	10	17		19.8	
VBF30 PU - M10M		M10xP1.5 male	28	12	17		19.8	
VBF40 PU - 18F	42	G1/8" female	29	-	17	9	19.8	32
VBF40 PU - 14F		G1/4" female	29	-	17		19.8	
VBF40 PU - 38F		G3/8" female	45	-	17		-	
VBF40 PU - 14M		G1/4" male	29	10	17		19.8	
VBF40 PU - M10M		M10xP1.5 male	29	12	17		19.8	
VBF50 PU - 18F	51.5	G1/8" female	37	-	22	11.5	24.8	40
VBF50 PU - 14F		G1/4" female	37	-	22		24.8	
VBF50 PU - 38F		G3/8" female	37	-	22		24.8	
VBF50 PU - 14M		G1/4" male	37	10	22		24.8	
VBF50 PU - M10M		M10xP1.5 male	37	12	22		24.8	
VBF60 PU - 18F	64	G1/8" female	41.5	-	21	15	24	50
VBF60 PU - 14F		G1/4" female	41.5	-	21		24	
VBF60 PU - 38F		G3/8" female	41.5	-	21		24	
VBF60 PU - 12F		G1/2" female	41.5	-	26		29	
VBF60 PU - 14M		G1/4" male	41.5	10	21		24	
VBF60 PU - M10M	M10xP1.5 male	41.5	12	21	24			
VBF80 PU - 18F	84	G1/8" female	49.5	-	21	22.5	24	68
VBF80 PU - 14F		G1/4" female	49.5	-	21		24	
VBF80 PU - 38F		G3/8" female	49.5	-	21		24	
VBF80 PU - 12F		G1/2" female	49.5	-	26		29	
VBF80 PU - 14M		G1/4" male	49.5	10	21		24	
VBF80 PU - M10M	M10xP1.5 male	49.5	12	21	24			
VBF100 PU - 18F	103	G1/8" female	55	-	22	20.5	24	83
VBF100 PU - 14F		G1/4" female	55	-	22		24	
VBF100 PU - 38F		G3/8" female	55	-	22		24	
VBF100 PU - 12F		G1/2" female	55	-	24		27	
VBF100 PU - 14M		G1/4" male	55	10	22		24	