

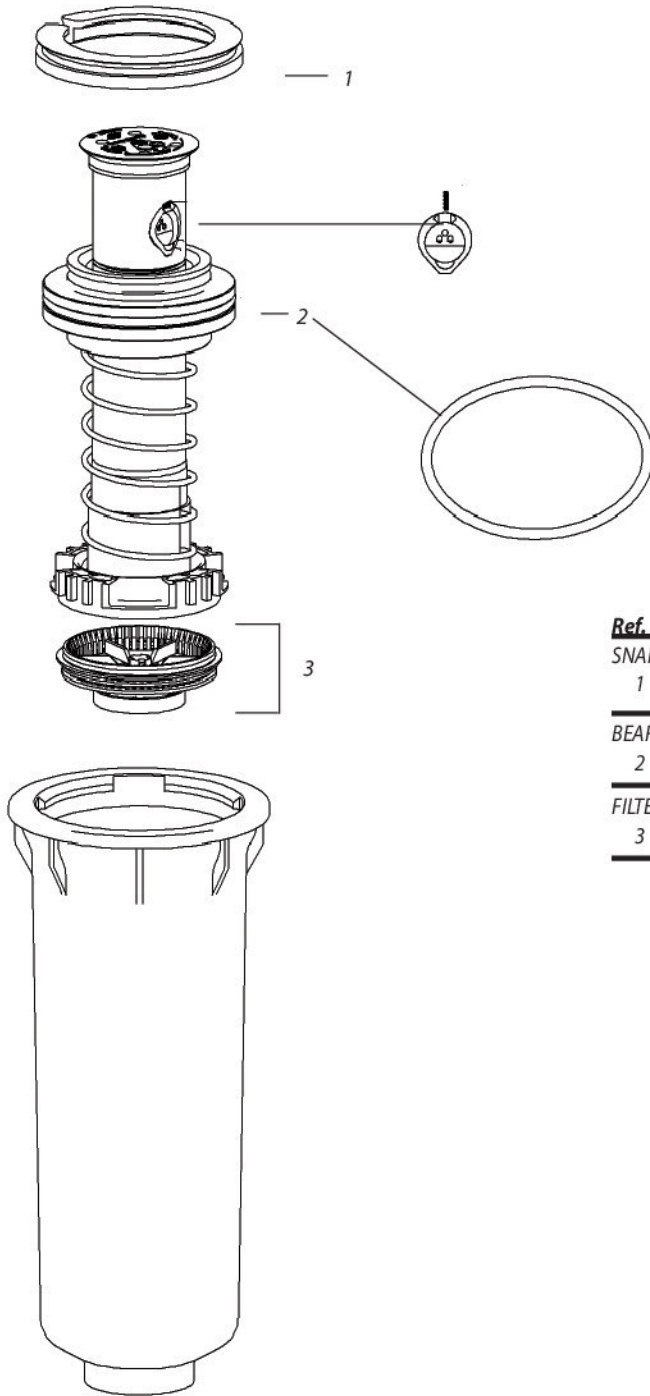


***RAIN***  ***BIRD***®

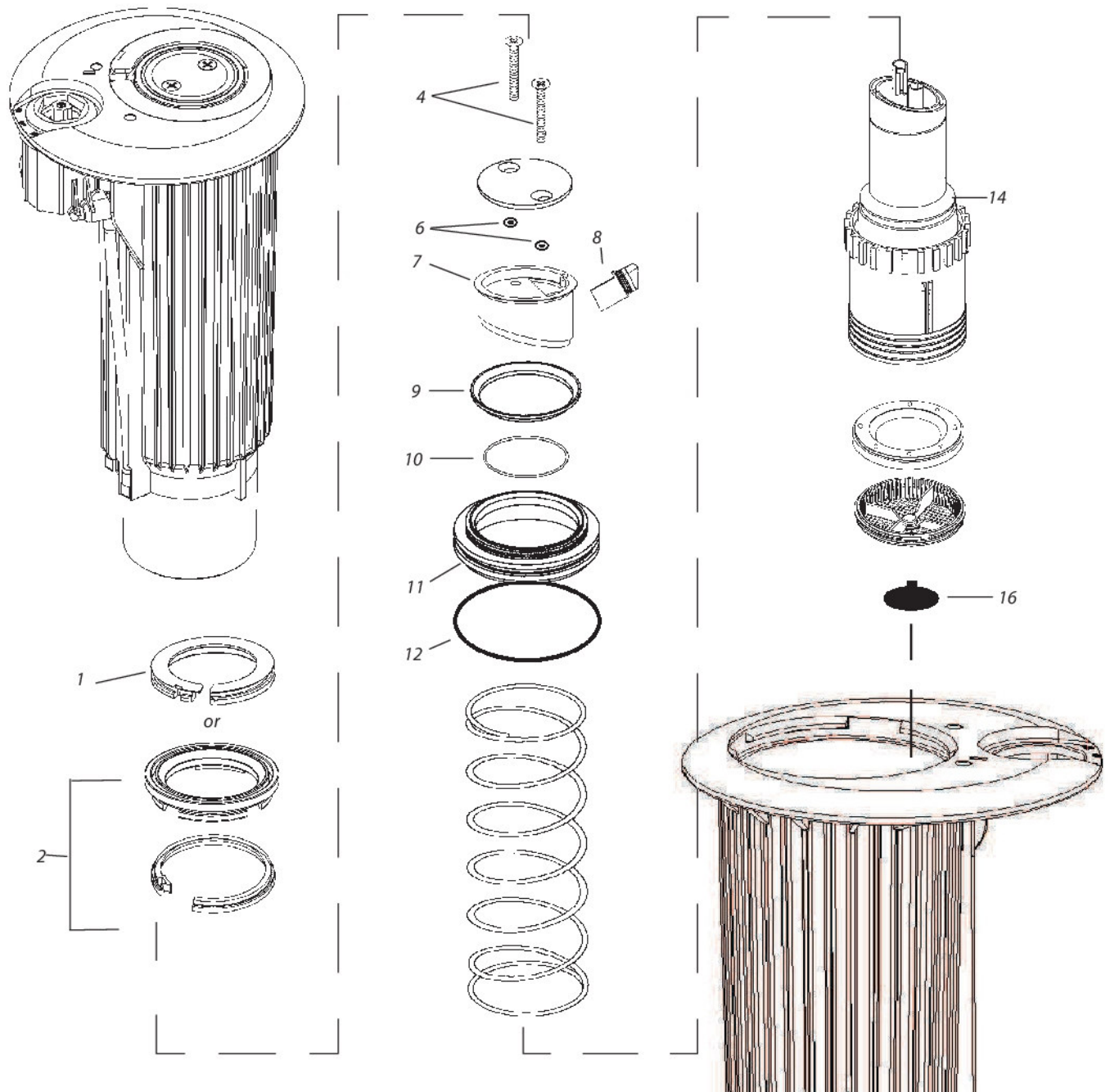
# **Ersatzteilbuch 2017**



Stand Oktober 2020



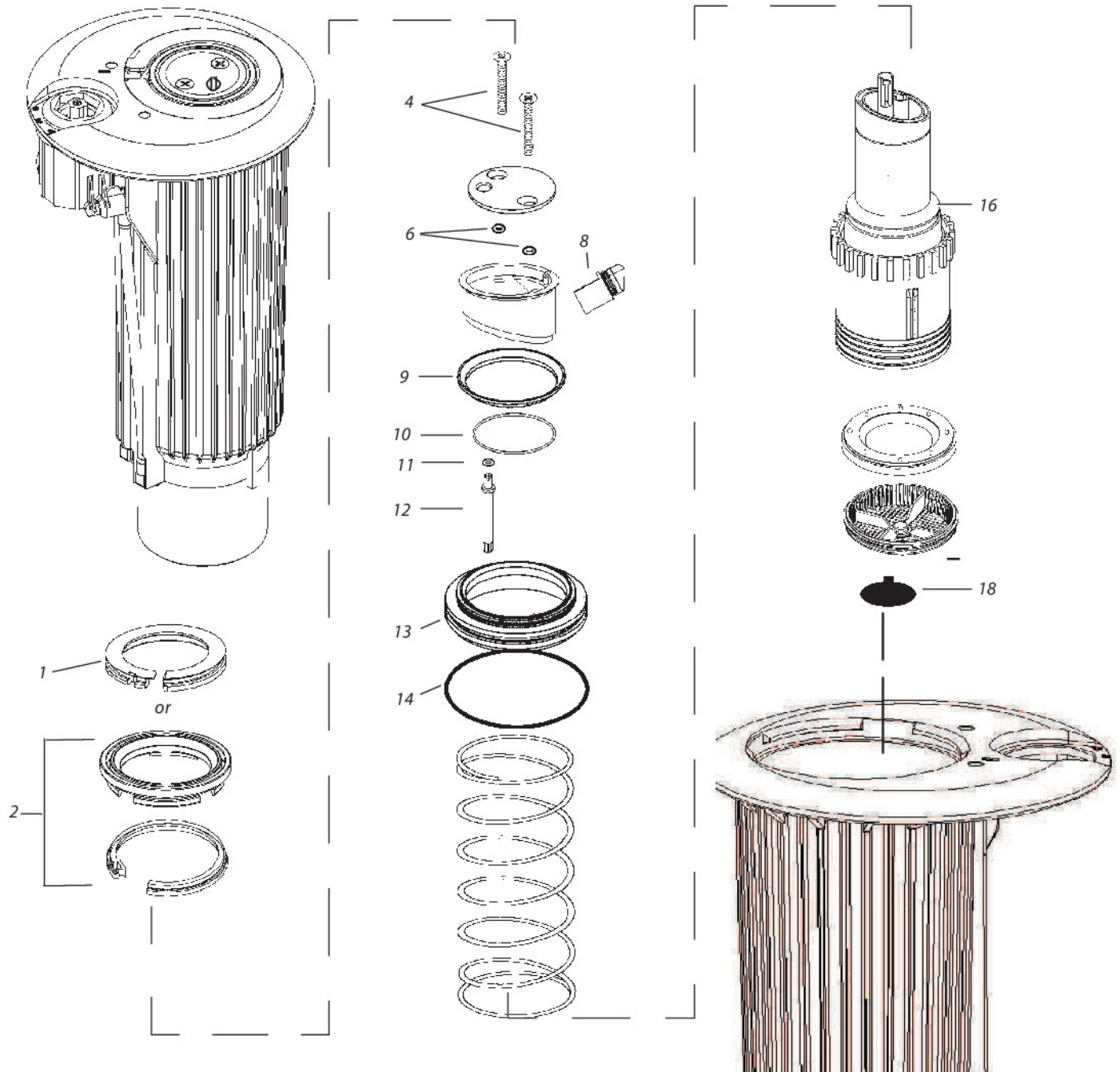
<b>Ref.</b>	<b>Part Description</b>	<b>All Models</b>
<b>SNAP RINGS</b>		
1	Snap Cover	21192101
<b>BEARING ASSEMBLY</b>		
2	Bearing Guide O-Ring	211242
<b>FILTER ASSEMBLY</b>		
3	Screen and Check Valve Assy Kit	212914



Ref.	Part Description	Qty.	500-E	500-S/H	500B
<b>SNAP RINGS</b>					
1	Snap Cover	1	21192101	21192101	21192101
2	Included in Rubber Cover Kit	1	—	—	<del>211355</del>
<b>COVER ASSEMBLY</b>					
4	Self-Tapping Screw	2	210974	210974	210974
6	Screw O-Ring	2	211236	211236	211236
	Rubber Cover Kit	1	—	—	211355
<b>NOZZLES</b>					
7	Nozzle Housing - Black	1	<del>21035602</del>	<del>21035602</del>	<del>21035602</del>
8	Range Nozzle Assembly (A)	1	213500xx	213500xx	213500xx
9	Retract Seal	1	210354	210354	210354
16	Seal-a-Matic™ Screen Assy (B/BRC Only)	1			
<b>BEARING / RISER-MOTOR ASSEMBLY</b>					
10	Nozzle Housing O-Ring	1	210366	210366	210366
11	Bearing Guide Assy, STD	1	211147	—	—
11	Bearing Guide Assy, LO-FLOW	1	<del>211263</del>	<del>211263</del>	<del>211263</del>
12	Bearing Guide O-Ring	1	211242	211242	211242
14	Pop-up Seal (White)	1	210399	210399	210399

erhältliche Düsen: 51/53/54

(A) Specify Nozzle Size xx when ordering. Available in # 53, 54.

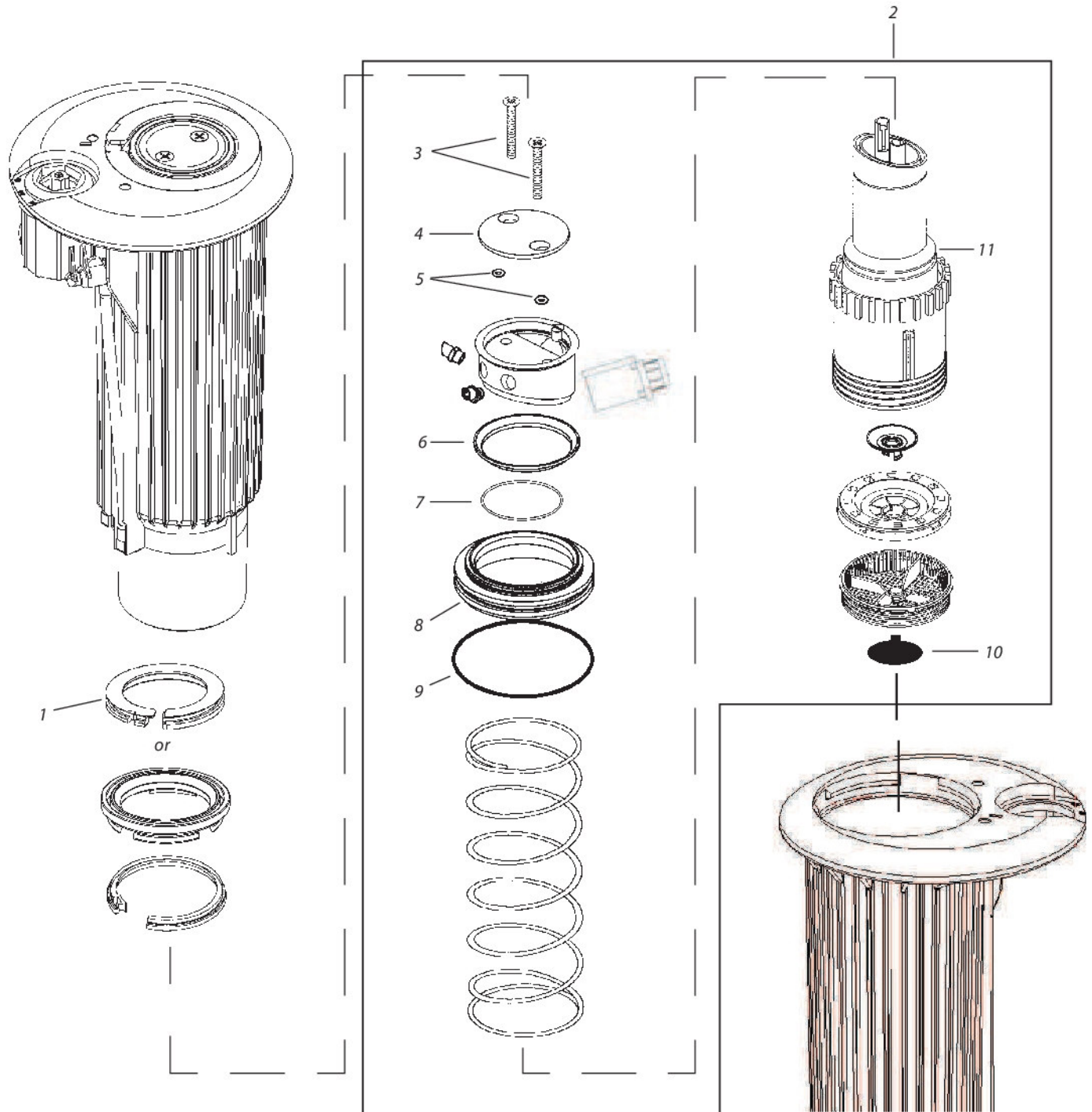




Ref.	Part Description	Qty.	550-E	550-S/H	550B
<b>SNAP RINGS</b>					
1	Snap Cover	1	21192101	21192101	21192101
2	Included in Rubber Cover Kit	1	—	—	<del>211355</del>
<b>COVER ASSEMBLY</b>					
4	Self-Tapping Screw	2	210974	210974	210974
6	Screw O-ring	2	211236	211236	211236
<b>NOZZLES</b>					
8	Range Nozzle Assembly (A)	1	213500xx	213500xx	213500xx
9	Retract Seal	1	210354	210354	210354
18	Seal-a-Matic™ Screen Assy	1	—	—	211292
<b>BEARING / RISER-MOTOR ASSEMBLY</b>					
10	Nozzle Housing O-Ring	1	210366	210366	210366
11	Arc Adjustment Stem O-Ring	1	211236	211236	211236
12	Arc Adjustment Stem	1	210420	210420	210420
13	Bearing Guide Assy, STD	1	211147	—	—
13	Bearing Guide Assy, LO-FLOW	1	<del>211263</del>	<del>211263</del>	<del>211263</del>
14	Bearing Guide O-Ring	1	211242	211242	211242
16	Pop-up Seal (White)	1	210399	210399	210399

erhältliche Düsen: 51/53/54

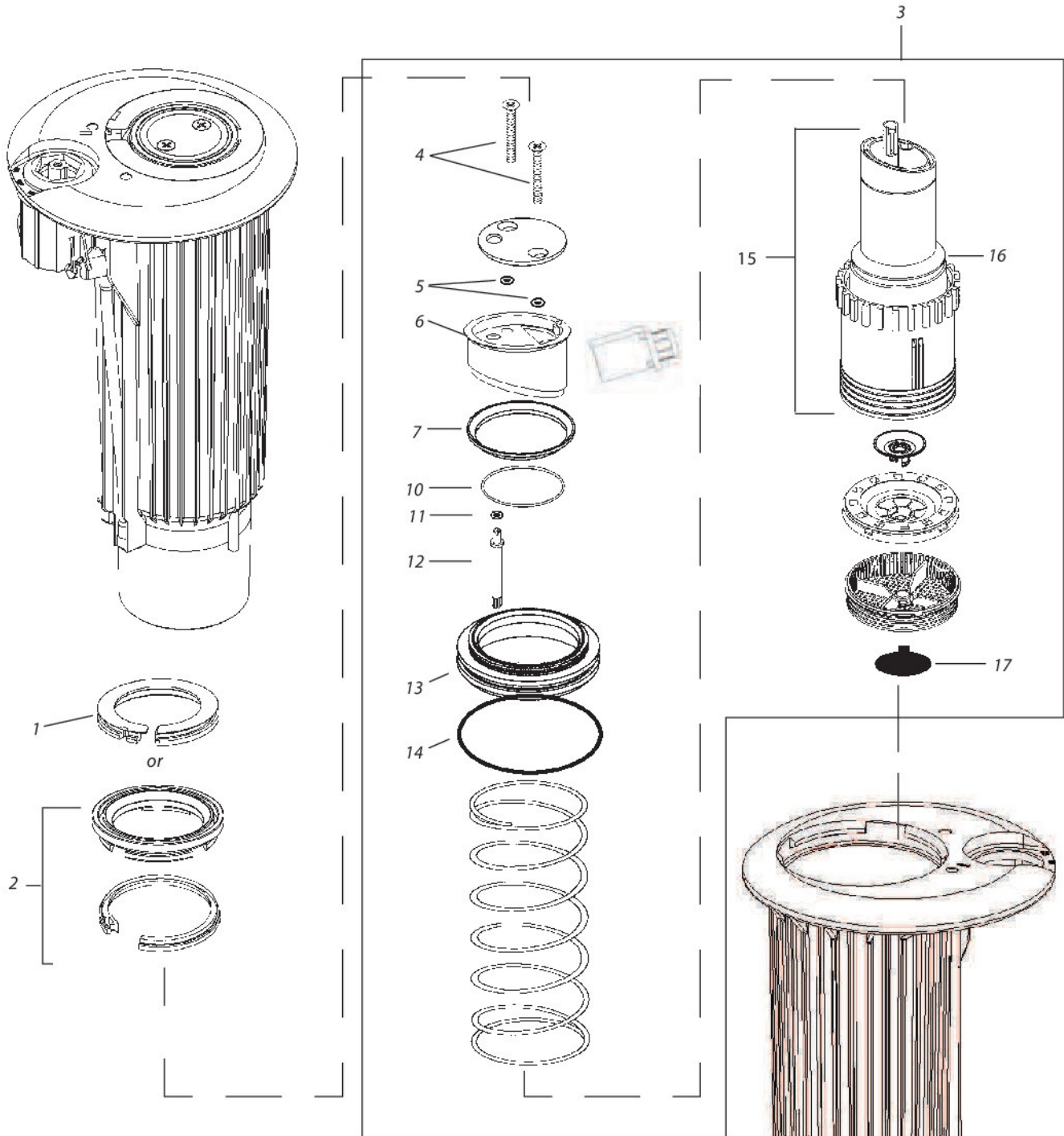
(A) Specify Nozzle Size xx when ordering. Available in # 53, 54.





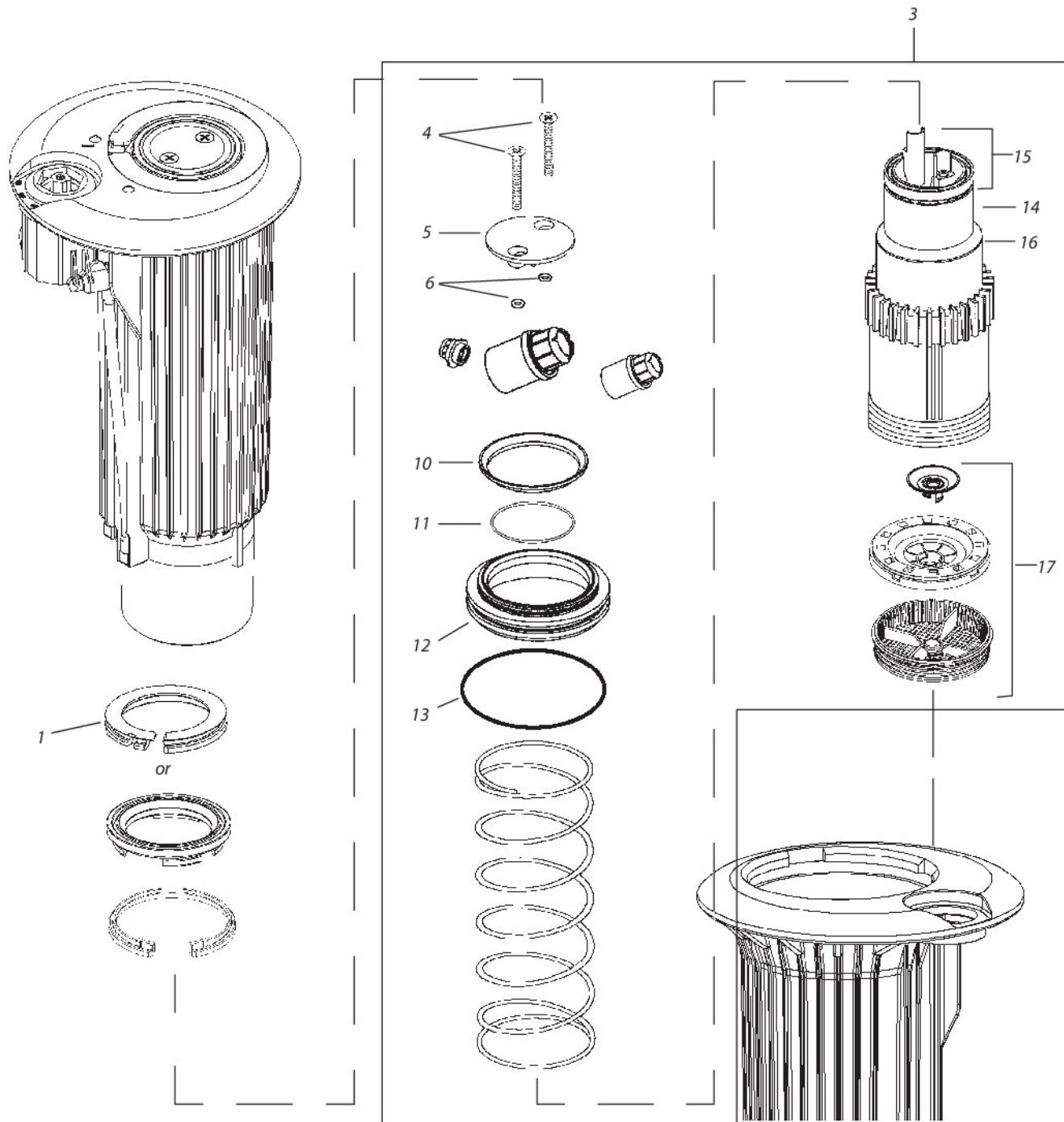
<b>Ref. Part Description</b>	<b>Qty.</b>	<b>700-E</b>	<b>700-S/H</b>	<b>700B</b>
<b>SNAP RINGS</b>				
1 Snap Cover	1	21192101	21192101	21192101
<b>INTERNAL ASSEMBLY</b>				
2 Internal Assembly	1	—	—	<del>21460040</del>
<b>COVER ASSEMBLY</b>				
3 Self-Tapping Screw	2	210974	210974	210974
4 Housing Cover	1	<del>210252</del>	<del>210252</del>	<del>210252</del>
5 Cover Screw O-Ring	2	211236	211236	211236
Rubber Cover Kit	1	—	—	<del>211355</del>
<b>NOZZLES</b>				
6 Retract Seal	1	210354	210354	210354
10 Seal-a-Matic Screen Assy (B Only)	1	—	—	211292
<b>BEARING / RISER-MOTOR ASSEMBLY</b>				
7 Nozzle Housing O-Ring	1	210366	210366	210366
8 Bearing Guide Assy, STD	1	211147	—	—
8 Bearing Guide Assy, LO-FLOW	1	<del>211263</del>	<del>211263</del>	<del>211263</del>
9 Bearing Guide O-Ring	1	211242	211242	211242
11 Pop-up Seal (White)	1	210399	210399	210399





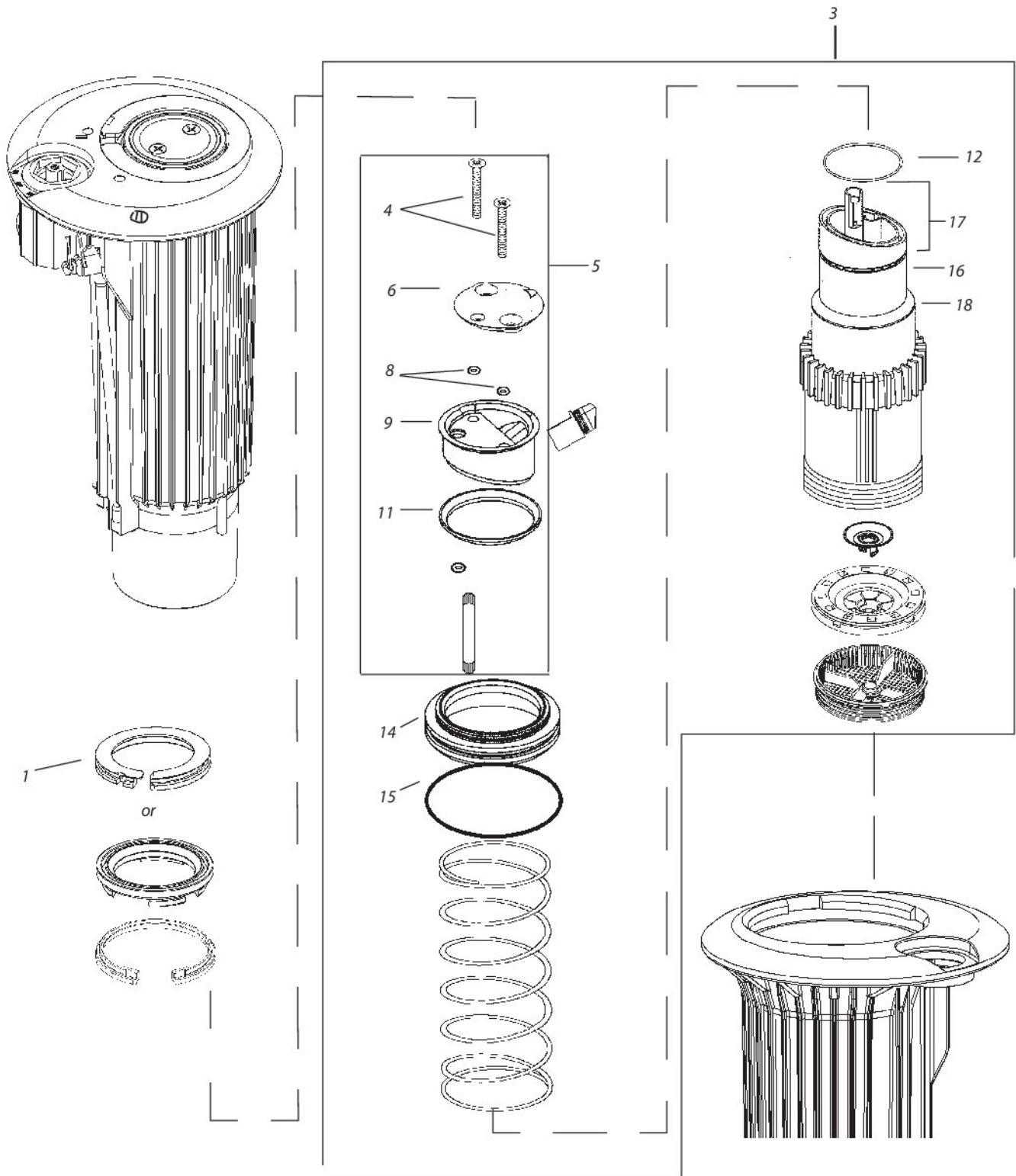


<b>Ref.</b>	<b>Part Description</b>	<b>Qty.</b>	<b>750-E</b>	<b>750-S/H</b>	<b>750B</b>
<b>SNAP RINGS</b>					
1	Snap Cover	1	21192101	21192101	21192101
2	Rubber Cover Kit	1	—	—	<del>210355</del>
<b>INTERNAL ASSEMBLY</b>					
3	Internal Assembly	1	—	—	<del>21465140</del>
<b>COVER ASSEMBLY</b>					
4	Self-Tapping Screw	2	210974	210974	210974
5	Cover Screw O-Ring	2	211236	211236	211236
	Rubber Cover Kit	1	—	—	<del>211355</del>
<b>NOZZLES</b>					
6	Dual-Spreader™ Nozzle Housing	1	21198201	21198201	21198201
7	Retract Seal	1	210354	210354	210354
17	Seal-a-Matic Screen Assy	1	—	—	211292
<b>BEARING / RISER-MOTOR ASSEMBLY</b>					
10	Nozzle Housing O-Ring	1	210366	210366	210366
11	Arc Adjustment Stem O-Ring	1	211236	211236	211236
12	Arc Adjustment Stem	1	210420	210420	210420
13	Bearing Guide Assy, STD	1	211147	—	—
13	Bearing Guide Assy, LO-FLOW	1	<del>211263</del>	<del>211263</del>	<del>211263</del>
14	Bearing Guide O-Ring	1	211242	211242	211242
15	Riser Motor Assembly	1	<del>21475100</del>	<del>21475100</del>	<del>21475100</del>
16	Pop-up Seal (White)	1	210399	210399	210399





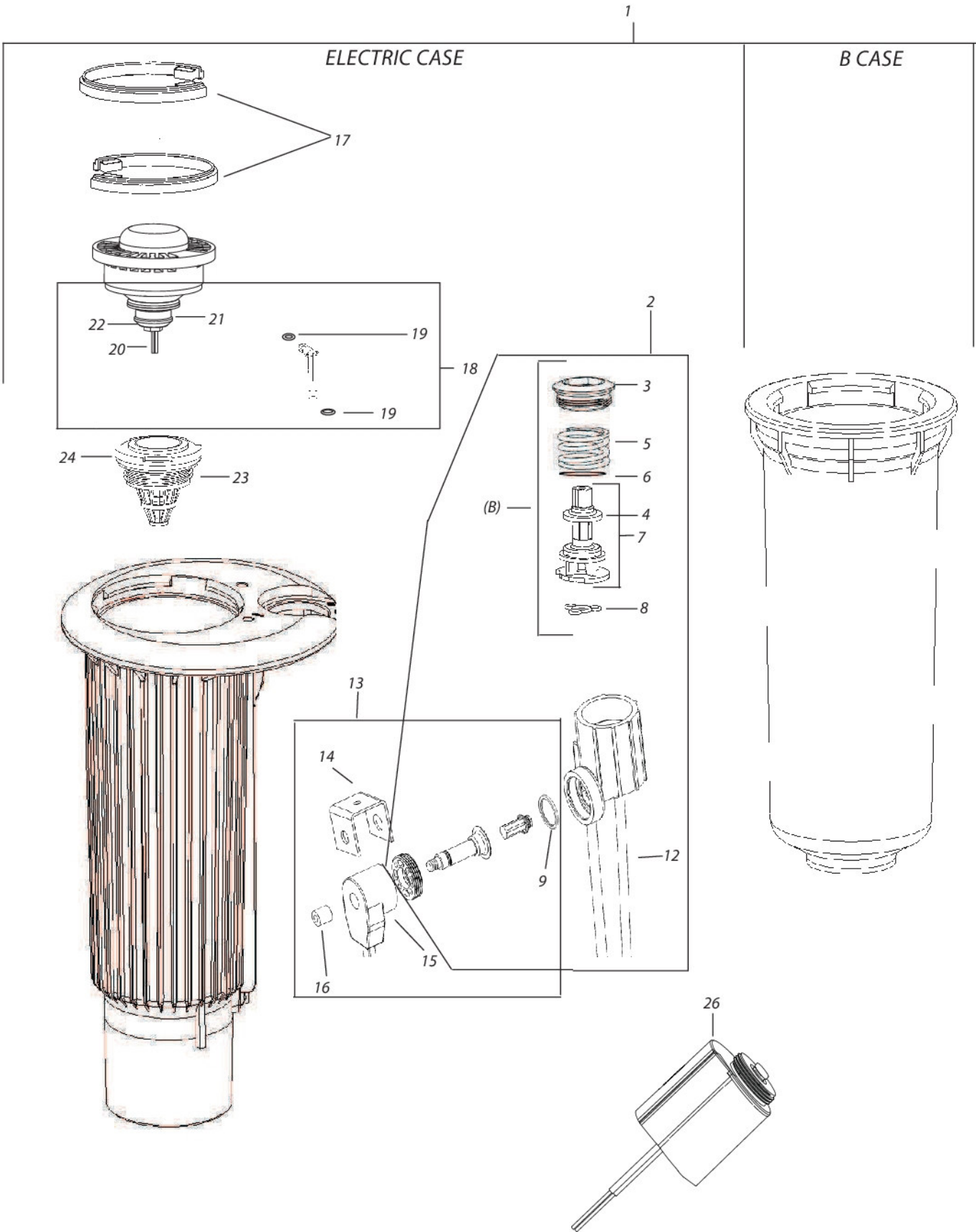
<b>Ref.</b>	<b>Part Description</b>	<b>Qty.</b>	<b>900-E</b>	<b>900-S/H</b>
<b>SNAP RINGS</b>				
1	Snap Cover (all models)	1	21193401	21193401
<b>INTERNAL ASSEMBLY</b>				
3	Internal Assembly	1	<del>21078660</del>	<del>21078660</del>
<b>COVER ASSEMBLY</b>				
4	Self-Tapping Screw	2	210975	210975
5	Housing Cover	1	211966	211966
6	Screw O-Ring	2	209778	209778
<b>NOZZLES</b>				
10	Retract Seal	1	210231	210231
17	Stator/Screen Kit	1	210232	210232
<b>BEARING / RISER-MOTOR ASSEMBLY</b>				
11	Nozzle Housing O-Ring	1	210168	210168
12	Bearing Guide Assy, STD	1	<del>211460</del>	—
12	Bearing Guide Assy, LO-FLOW	1	<del>211461</del>	<del>211461</del>
13	Bearing Guide O-Ring	1	212383	212383
14	Riser Motor Assembly	1	209836	209836
15	Nozzle Base Replacement Kit w/seals	1	212060	212060
16	Pop-up Seal (White)	1	209781	209781





Ref.	Part Description	Qty.	950-E	950-S/H
<b>SNAP RINGS</b>				
1	Snap Cover (all models)	1	21193401	21193401
<b>INTERNAL ASSEMBLY</b>				
3	Internal Assembly (B)	1	211442 <del>xx</del> <sup>30</sup>	211442 <del>xx</del> <sup>30</sup>
<b>COVER ASSEMBLY</b>				
4	Self-Tapping Screw	2	210975	210975
5	One Piece Arc Adjust Conversion Kit(A)	1	212893	212893
6	Housing Cover (on & after 11/06) (A)	1	<del>21282001</del>	<del>21282001</del>
8	Screw O-ring	2	209778	209778
<b>NOZZLES</b>				
9	Nozzle Housing-Black(on & after 11/06)(A)	1	<del>212822</del>	<del>212822</del>
11	Retract Seal	1	210231	210231
19	Stator/Screen Kit	1	210232	210232
<b>BEARING / RISER-MOTOR ASSEMBLY</b>				
12	Nozzle Housing O-Ring	1	210436	210436
14	Bearing Guide Assy, STD	1	211460	—
14	Bearing Guide Assy, LO-FLOW	1	<del>211461</del>	<del>211461</del>
15	Bearing Guide O-Ring	1	212383	212383
16	Riser Motor Assembly	1	210439	210439
17	Nozzle Base Replacement Kit w/seals	1	<del>212061</del>	<del>212061</del>
18	Pop-up Seal (White)	1	209781	209781

- (A) One Piece Arc Adjust incorporated 11/06. Prior to 11/06. Upgrade to the One Piece Arc Adjust Kit. Part # 212893.
- (B) Specify Nozzle Size xx when ordering. Available in # 28,30



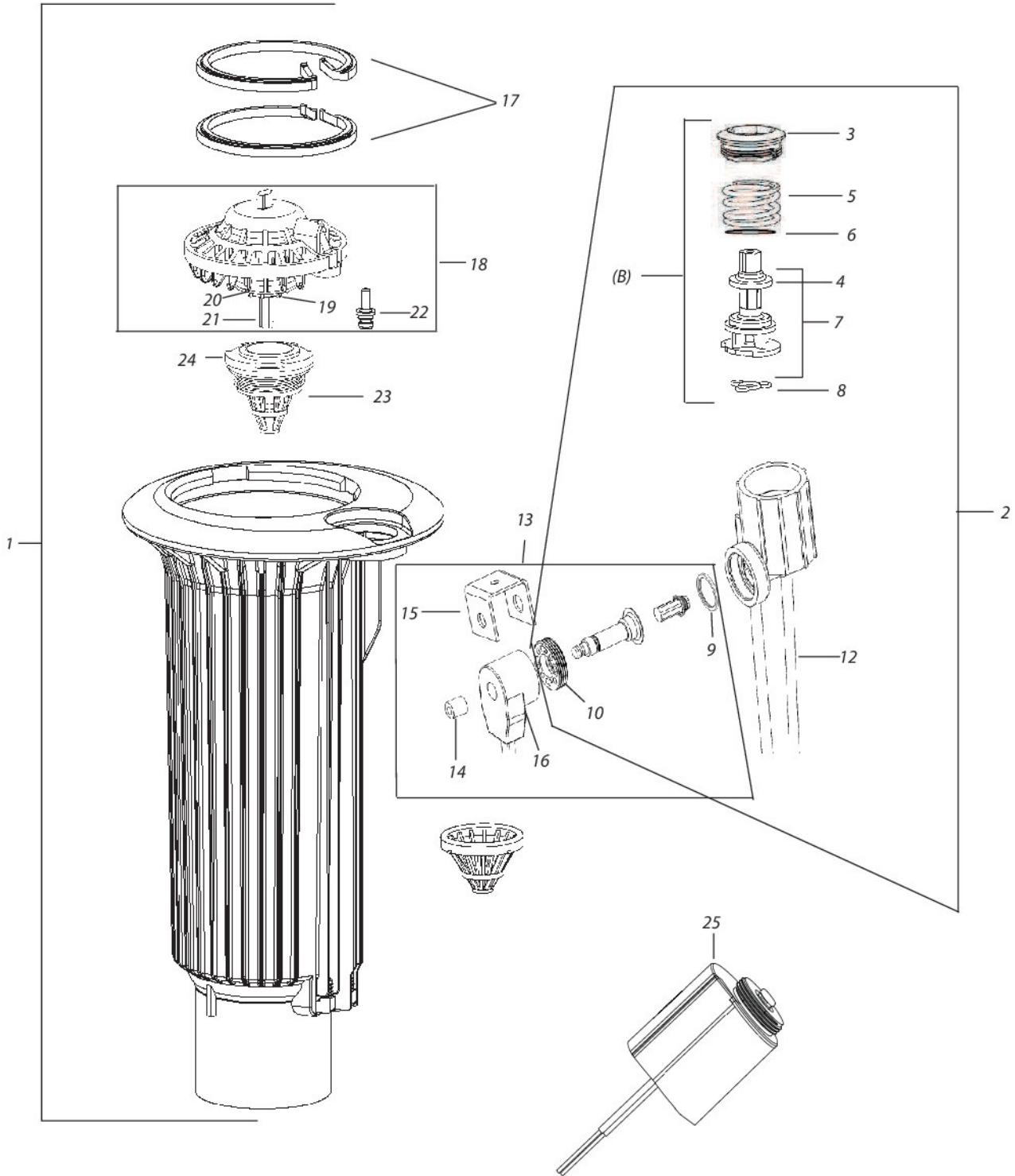


Ref. Part Description	Qty.	Electric	SAM/Hydraulic	B case	IC
<b>CASE ASSEMBLIES</b>					
1 EAGLE 700 / 750 Case Assembly (ACME)	1	—	—	21148903	—
1 EAGLE 500 / 550 Case Assembly (ACME)	1	—	—	21148903	—
2 PRS/Selector Housing Assy (>6/95)	1	211418	—	—	211418
3 Selector Cap	1	(A)	—	—	(A)
4 Stem Cover O-Ring	1	(A)	—	—	(A)
5 Compression Spring	1	(A)	—	—	(A)
6 Selector Spring Washer	1	(A)	—	—	(A)
7 PRS Cartridge, Upper Stem (Black)	1	(A)	—	—	(A)
8 Selector Seal (Green)	1	(A)	—	—	(A)
9 Solenoid Base O-Ring	1	211237	—	—	—
12 Tubing	2	(B) 211607	(B) 211607	—	—
13 Solenoid Assy	1	<del>20692001</del>	—	—	—
14 U-Frame	1	<del>212124S</del>	—	—	—
15 Encapsulated Coil	1	602118	—	—	—
16 Solenoid Retainer	1	<del>627167</del>	—	—	—
17 Lower Snap Ring	2	210470	210470	—	210470
18 Valve Assembly (700 / 750 Series)	1	211468	212322	—	211468
18 Valve Assembly (500 / 550 Series)	1	—	212322	—	—
19 Probe O-Ring	2	211238	211238	—	211238
20 Universal Filter	1	20609202	—	—	20609202
21 Inlet Rubber Seal	1	212328S	—	—	212328S
22 Seal Nut	1	<del>211174</del>	—	—	<del>211174</del>
23 Top-Serviceable Rock Screen (TSRS) (>4/98) (White)	1	21171401	21171401	—	21171401
24 O-Ring for TSRS (Yellow)	1	210366	210366	—	210366
26 Golf Black Solenoid (GBS)	1	<del>213462C</del>	—	—	—
<b>KITS</b>					
- Rubber Cover Kit (B case Only)	1	—	—	211355	—

(A) Included in PRS/Selector Repair Kit: Pre 4/01 use # 213366 (includes rust seal.), Post 4/01 use #212150 (includes green seal).

(B) Tubing Repair Kit includes 20 tubes, ferrules and metal barbs.





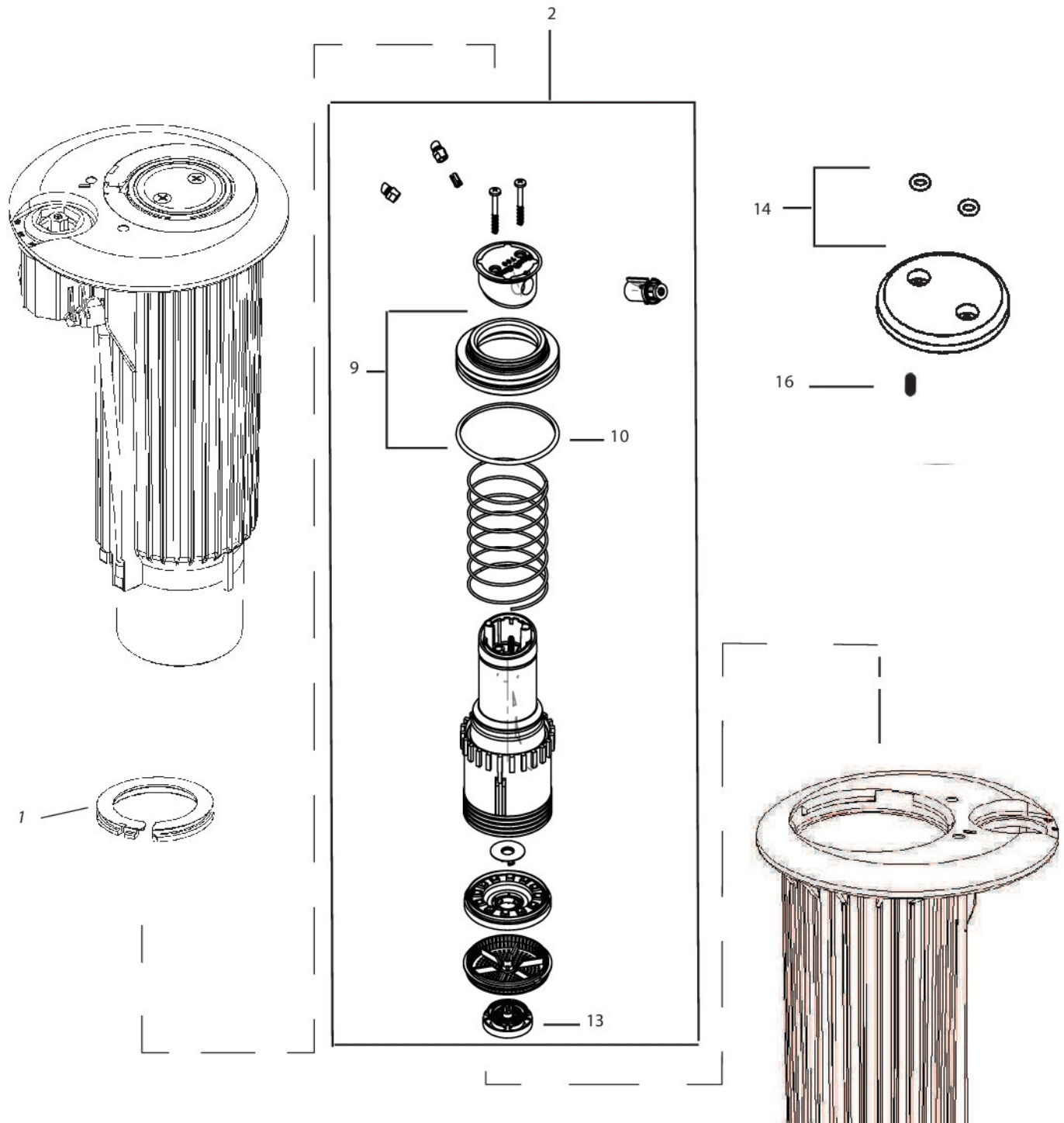


Ref.	Part Description	Qty.	Electric	SAM / Hydraulic	IC
CASE ASSEMBLIES					
1	Case Assembly (ACME)	1	<del>(A) 212475xx</del>	212477	—
2	PRS/Selector Housing Assy (>6/95)	1	211418	—	211418
3	Selector cap	1	(B)	—	(B)
4	Stem Cover O-Ring	1	(B)	—	(B)
5	Compression Spring	1	(B)	—	(B)
6	Selector Washer	1	(B)	—	(B)
7	PRS Cartridge	1	(B)	—	(B)
8	Selector Seal (Green)	1	(B)	—	(B)
9	Solenoid Base O-Ring	1	211237	—	—
10	Base Nut	1	602606	—	—
12	Tubing	1	(C) 211607	(C) 211607	—
13	Solenoid Assembly Kit	2	20692001	—	—
14	Solenoid Retainer	1	627167	—	—
15	Solenoid U-Frame	1	2121245	—	—
16	Encapsulated Coil	1	602118	—	—
17	Lower Snap Ring (White)	2	208396	208396	208396
18	HPDV Valve Assembly	1	211266	212323	211266
19	Seal Nut (White)	1	211174	—	211174
20	Rubber Inlet Seal	1	211197	2122205	211197
21	Universal Filter	1	20609202	—	20609202
22	Probe O-Ring (Yellow)	1	211238	211238	211238
23	Top-Serviceable Rock Screen (>9/98)	1	21171402	21171402	21171402
24	Rock Screen O-ring (Grey)	1	210366	210366	—
25	Golf Black Solenoid (GBS)	1	213462C	—	—

(A) For Electric Case Assemblies specify pressure setting xx when ordering. 03 or 03B = 80 psi (5,5 bars)

(B) Included in PRS/Selector Repair Kit: Pre 4/01 use Part # 213366 (includes rust color seal), Post 4/01 use Part # 212150

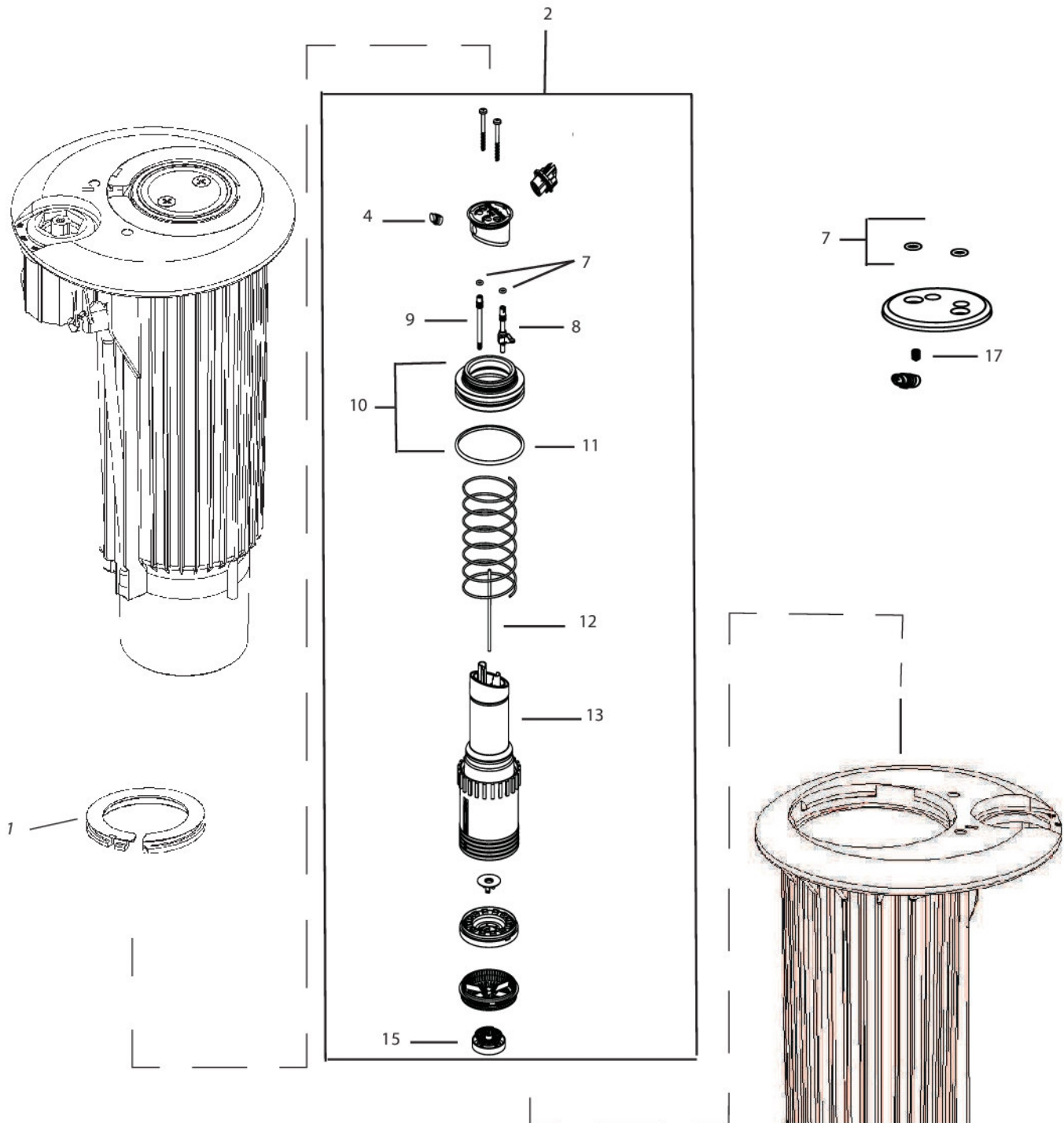
(C) Tubing repair Kit includes 20 tubes, ferrules and metal barbs.





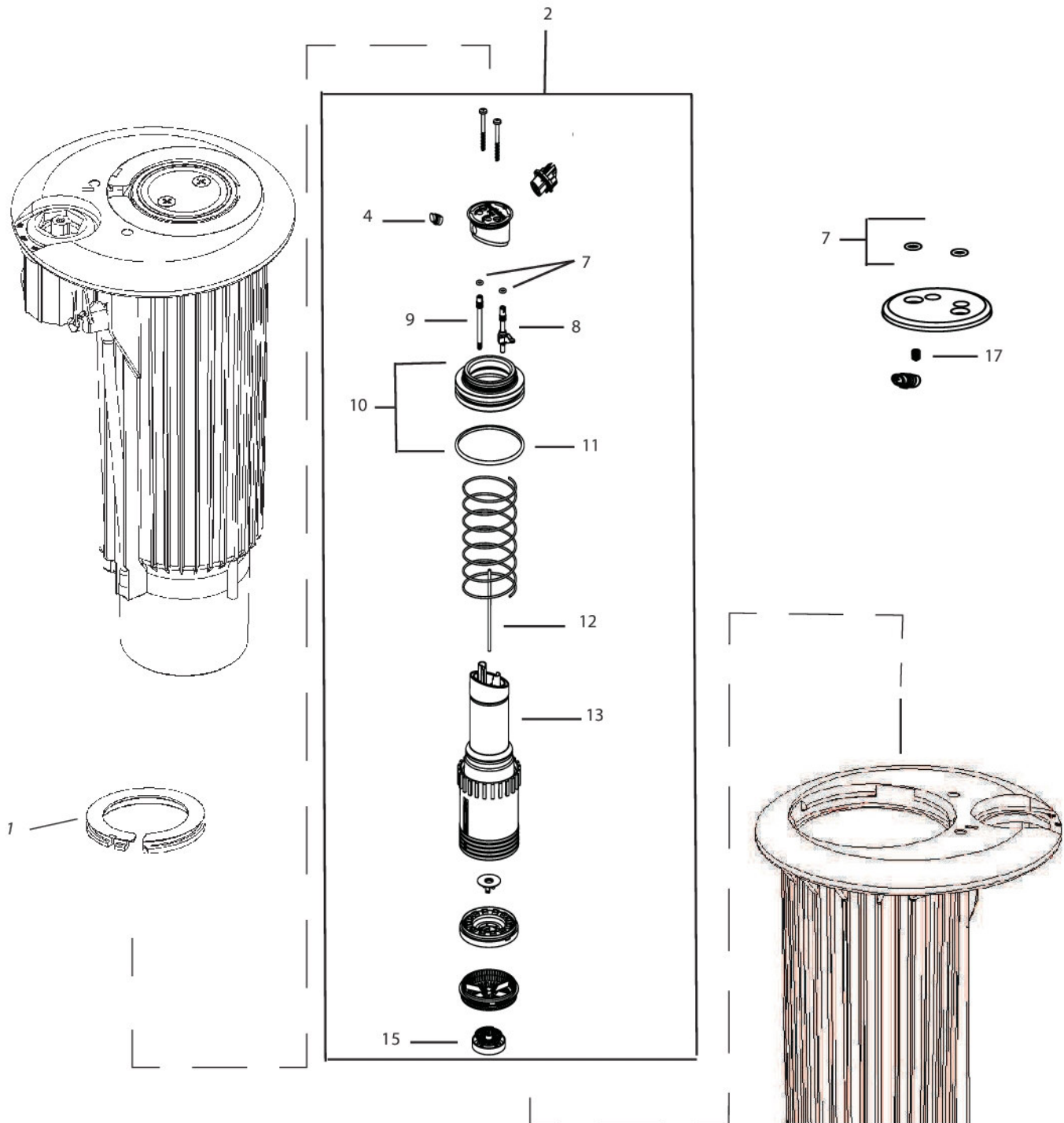
<b>Ref. Part Description</b>	<b>Qty.</b>	<b>700-E</b>	<b>700-S/H</b>	<b>700B</b>
<b>SNAP RINGS</b>				
1 Snap Cover	1	21192101	21192101	21192101
<b>INTERNAL ASSEMBLY</b>				
2 Rain Bird 700 Internal Assembly	1	—	—	21460040
<b>BEARING GUIDE / MOTOR ASSEMBLY</b>				
9 Bearing Guide Assembly, Standard	1	211147	—	—
9 Bearing Guide Assembly, Low Flow	1	—	211263	211263
10 Bearing Guide O-ring	1	211242	211242	211242
13 SAM Screen Kit Block Models	1	211292	211292	211292
17 Pop-up Seal (White)	1	210399	210399	210399
<b>YARDAGE MARKER</b>				
14 O-ring (Cover, Adjust, & Lever)	2	211236	211236	211236
<b>DIFFUSER SCREW</b>				
16 700 / 751 Diffuser Screw Only	1	214757	214757	214757

RAIN BIRD 751 INTERNAL ASSEMBLY





<b>Ref. Part Description</b>	<b>Qty.</b>	<b>751-E</b>	<b>751-S/H</b>	<b>751B</b>
<b>SNAP RINGS</b>				
1 Snap Cover	1	21192101	21192101	21192101
<b>INTERNAL ASSEMBLY</b>				
2 Rain Bird 751 Internal Assembly	1	—	—	21465140
<b>NOZZLE HOUSING AND NOZZLES</b>				
4 Nozzle Plug	1	211593	211593	211593
7 O-Ring (Cover, Adjust, & Lever)	2	211236	211236	211236
8 751 FC/PC Arm-Lever Assembly	1	214752	214752	214752
9 Arc Adjust Stem	1	210420	210420	210420
<b>BEARING GUIDE / MOTOR ASSEMBLY</b>				
10 Bearing Guide Assembly, Standard	1	211147	—	—
10 Bearing Guide Assembly, Low Flow	1	—	<del>211263</del>	<del>211263</del>
11 Bearing Guide O-ring	1	211242	211242	211242
12 751 FC-PC Trip Rod	1	214753	214753	214753
13 Rain Bird 751 Riser Motor Assembly	1	<del>21475100</del>	<del>21475100</del>	<del>21475100</del>
15 SAM Screen Kit Block Models	1	211292	211292	211292
19 Pop-up Seal (White)	1	210399	210399	210399
<b>DIFFUSER SCREW</b>				
17 700 / 751 Diffuser Screw Only	1	<del>214757</del>	<del>214757</del>	<del>214757</del>



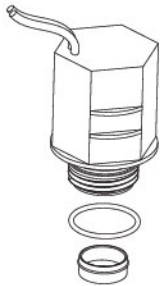


<b>Ref. Part Description</b>	<b>Qty.</b>	<b>751-E</b>	<b>751-S/H</b>	<b>751B</b>
<b>SNAP RINGS</b>				
1 Snap Cover	1	21192101	21192101	21192101
<b>INTERNAL ASSEMBLY</b>				
2 Rain Bird 751 Internal Assembly	1	—	—	21465140
<b>NOZZLE HOUSING AND NOZZLES</b>				
4 Nozzle Plug	1	211593	211593	211593
7 O-Ring (Cover, Adjust, & Lever)	2	211236	211236	211236
8 751 FC/PC Arm-Lever Assembly	1	214752	214752	214752
9 Arc Adjust Stem	1	210420	210420	210420
<b>BEARING GUIDE / MOTOR ASSEMBLY</b>				
10 Bearing Guide Assembly, Standard	1	211147	—	—
10 Bearing Guide Assembly, Low Flow	1	—	<del>211263</del>	<del>211263</del>
11 Bearing Guide O-ring	1	211242	211242	211242
12 751 FC-PC Trip Rod	1	214753	214753	214753
13 Rain Bird 751 Riser Motor Assembly	1	<del>21475100</del>	<del>21475100</del>	<del>21475100</del>
15 SAM Screen Kit Block Models	1	211292	211292	211292
19 Pop-up Seal (White)	1	210399	210399	210399
<b>DIFFUSER SCREW</b>				
17 700 / 751 Diffuser Screw Only	1	<del>214757</del>	<del>214757</del>	<del>214757</del>



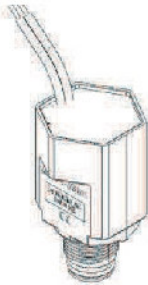
**20858801**

Used on  
DV / JTV Valves



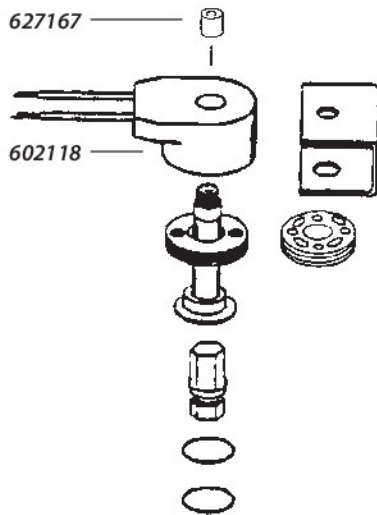
**236307**

Used on  
HV Valves



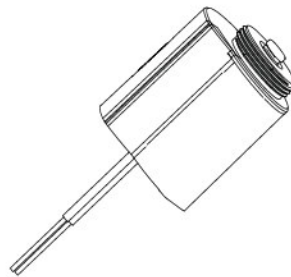
**20692001  
(OLD)**

Used on  
VIH Golf Rotors



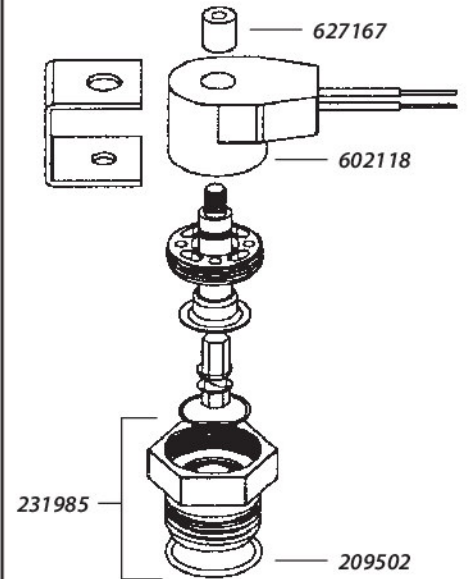
**213462C  
(GOLF BLACK SOLENOID)**

Used on  
VIH Golf Rotors



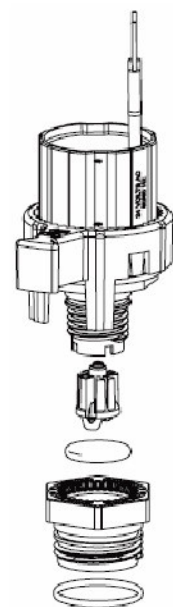
**B3-1800**

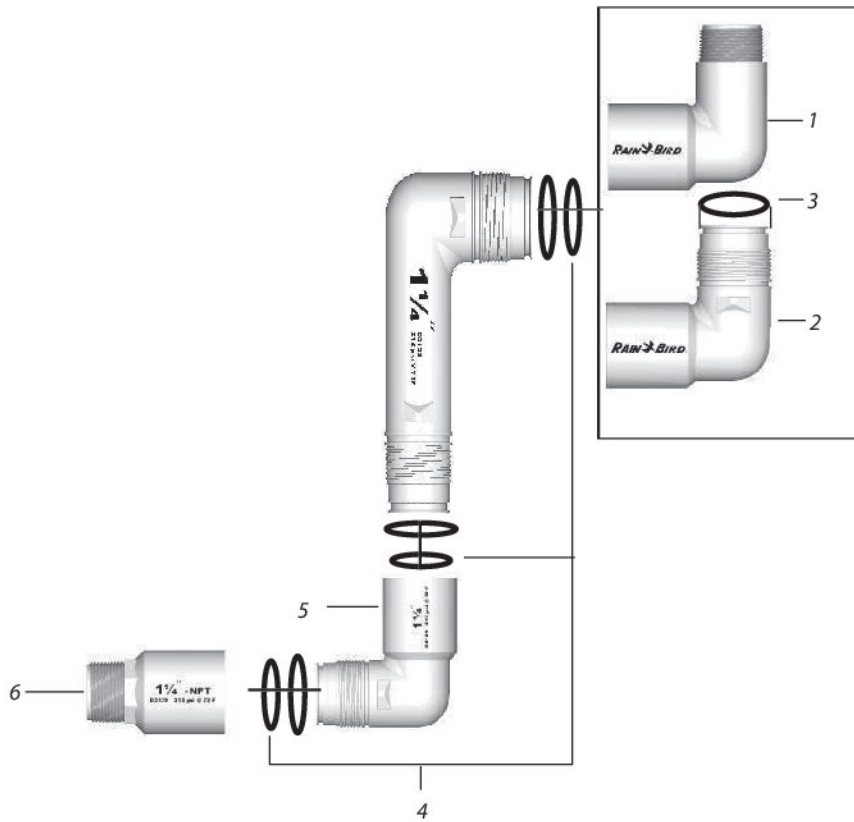
Used on  
BPE / BPES Valves



**236239**

Used on  
PGA / PEB / PESB Valves





Ref.	Part Description	Qty.	1"	1 1/4"	1 1/2"
1	Outlet (BSP)	1	21187002	21187802	—
2	Outlet (ACME)*	1	212008	212014	212020
3	O-Ring, Outlet Seal (ACME)	1	21187201	21187204	21187207
4	O-Ring, Internal (Front) Seal	3	—	—	21187208
5	Internal Elbow	1	212007	212013	212019
6	Inlet (BSP)	1	21186702	—	—

\*Includes o-ring(s)