

IMUKGL, IMU series

Axial ball-joints



Use

IMU and IMUKGL series ball-joints are recommended for gripping angled or rotating products.

Fitted on a flat suction pad, they transmit more force than a bellows-type suction pad.


Model IMU 14 M10M is designed to be fitted on suction pads in series VPG60 to 95.

Materials

Ball-joint Zinc-plated steel and brass

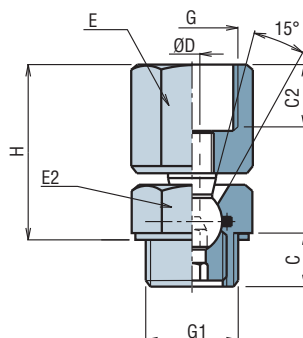
Seal Nitrile (NBR)

Characteristics

Models	C2 (mm)	Ø D (mm)	C (mm)	G	G1	E (mm)	E2 (mm)	H (mm)	FA ⁽¹⁾ (daN)	 (g)
IMUKGL 18	8.5	2	7	1/8G	1/8G	14	14	26.5	15	26
IMUKGL 14	12	3.5	10	1/4G	1/4G	19	19	37.5	75	67
IMUKGL 12	14	4	12	1/2G	1/2G	24	24	40	125	116
IMUKGL M10	12	3.5	10	1/4G	M10x125	19	19	37.5	75	67

(1) The axial force of the ball-joint (maximum permissible load) in daN including a safety factor of 2.

IMU KGL



For all orders, please specify:

Model + suction pad fitting

1: Model	2: Suction pad fitting	
IMU	KGL 18	1/8 Gas
	KGL 14	1/4 Gas
	KGL 12	1/2 Gas
	KGL M10	M10x125

Accessories

IMU KGL series ball-joints are designed for the TS 2-3 series spring systems, see page 5/2.

E.g. **IMU KGL 14**
(IMU axial ball-joint, 1/4 Gas suction pad fitting)