

Use

The L series extensions are used for gripping on various levels from the same installation plate. These extensions are adjustable to different heights.

This system is especially useful for 2.5 bellows type suction pads, as height adjustment is made easier by the deflection of the suction pad.

Spring systems should be chosen instead, for flat suction pads with low deflection.

Materials

Threaded rod and nut Brass

Screwed vacuum fitting Nickel-plated brass

Characteristics

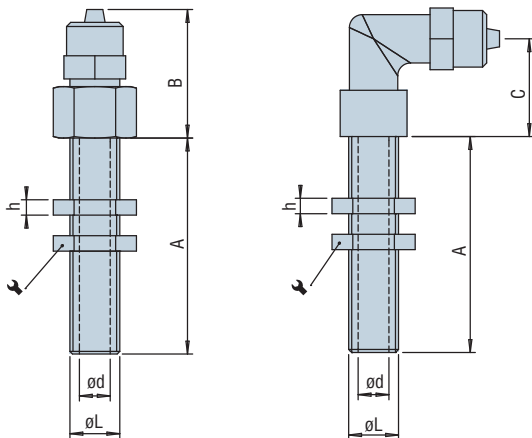
Models	A ⁽¹⁾ (mm)			B (mm)	C (mm)	h (mm)	(mm)	Ød (mm)	ØL	D (mm)	P (mm)
1/8 Gas	22	42	52	25	19	3	14	6	1/8G	-	-
1/4 Gas	19	49	69	29	24	4	19	9	1/4G	-	-
3/8 Gas F	19	49	69	20.5	-	4	23	3/8G	3/8G	19	22

(1) Other lengths available on request for a minimum quantity of 10 pieces.

1/4G - 1/8G

Straight

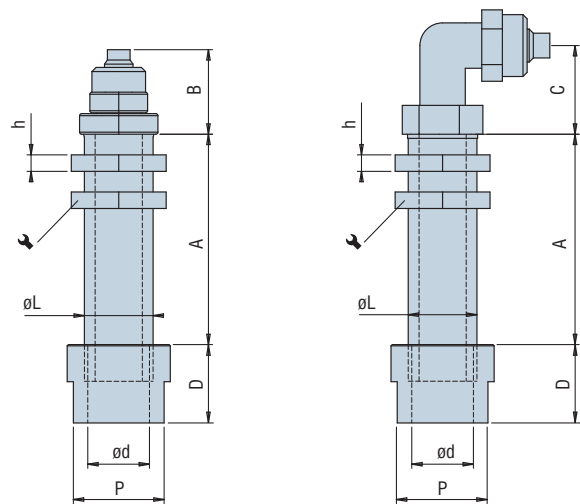
Elbow



F3/8G

Straight 6x8

Elbow 6x8



F3/8G extensions are compatible with the High Performance C series range of suction pads (see pages 2/11 to 2/13).

For all orders, please specify:

Model + Thread + Adjustable stroke + Fitting + F (for 3/8 Gas)

1: Model	2: Thread		3: Adjustable stroke		4: Fittings		5: F for 3/8 Gas
L	18	1/8 Gas	22 - 42 - 52	(1/8 Gas)	D46	Straight 4 x 6	
	14	1/4 Gas	19 - 49 - 69	(1/4 Gas)	D68	Straight 6 x 8	
	38	3/8 Gas		(3/8 Gas)	C46	Elbow 4 x 6	
					C68	Elbow 6 x 8	
					N	Without fitting	

On request

Possibility of T-shaped coupling. Please consult us.

E.g. **L 14 49 C68**

(L series extension, 1/4 Gas thread, Adjustable stroke 49, elbow fitting 6 x 8)