

VMECA VACUUM SPEEDER

VQ SERIES

(Quick Release Vacuum Pump)



VQ SERIES

- Max. vacuum level** : - 90 kPa (-675 mmHg)
- Max. flow rate** : 85.8NI/min (3.01 scfm)
- Supply air pressure** : 4 ~ 6bar, max 7bar (58~87psi, Max.101.5 psi)
- Air consumption** : 32 NI/min (1.12 scfm)
- Supply air type** : Dry compressed air
- Working temperature** : - 20°C ~ 80°C (- 4~ 176°F)
- Noise level** : 55 ~ 65 dBA



Features

- ✓ Integrated innovative multi-stage VMECA Vacuum cartridge
- ✓ Auto quick release system
- ✓ Compact size and light weight
- ✓ Adjustable vacuum release air-flow
- ✓ Fast response time
- ✓ Easy installation and low maintenance cost
- ✓ Automatic filter cleaning
- ✓ Low noise level
- ✓ Low air consumption (Energy saving)
- ✓ Integrated vacuum filter

Ordering Information

VQ 203S - 38F - S - V

① ② ③ ④

① Vacuum Cartridges

- 202P - VC202P
- 203S - VC203S

② Vacuum Port

- 38F - G3/8" Female

④ Sealing Material

- no mark - NBR
- V - Viton
- E - EPDM

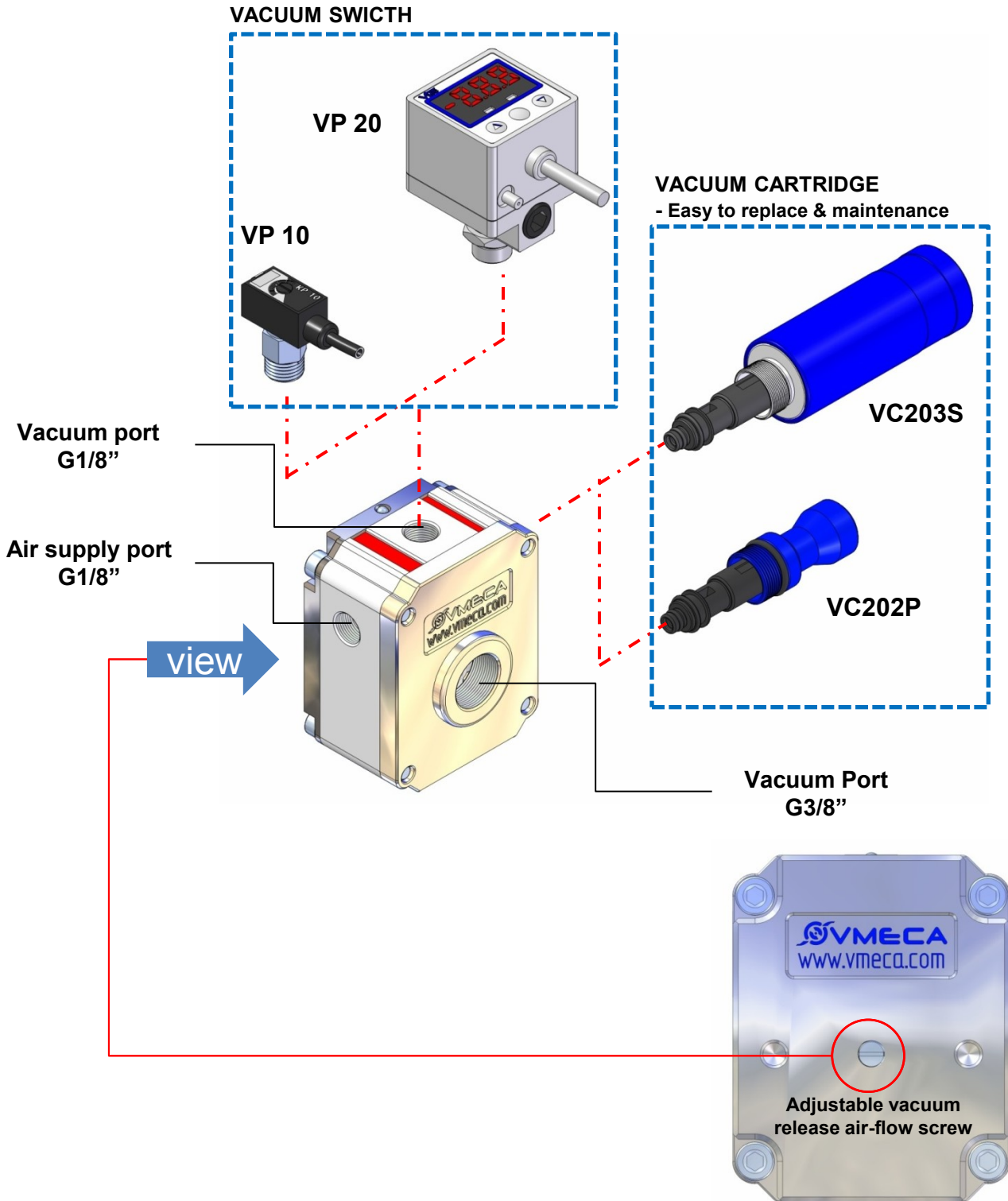
③ Vacuum Switch

- no mark - Not attached
- S(P) - output 1 point, No analog supply
M8-3Pin male connector (15cm lead wire)
- SG(P) - output 1 point, No analog supply
(Grommet type 3 core, 3m lead wire)
- S2(P) - Digital output 2 points, No analog supply
M8-4Pin male connector (0.3m lead wire)
- SG2(P) - Digital output 2 points, No analog supply
(Grommet type 4 core, 2m lead wire)
- SG3(P) - Digital output 2 points, Analog Supply
(Grommet type 5 core, 2m lead wire)

※ Remark : ① S..(P)
 L Output type : PNP open collector
 ② VC M8-3-3 : M8-3pin female connector, option for 'S' or 'SP'
 ③ VC M8-4-2 : M8-4pin female connector, option for 'S2' or 'S2P'

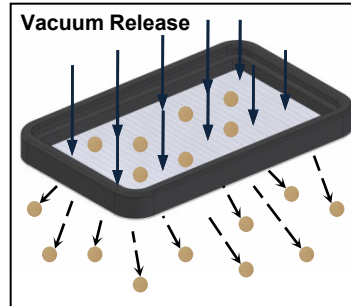
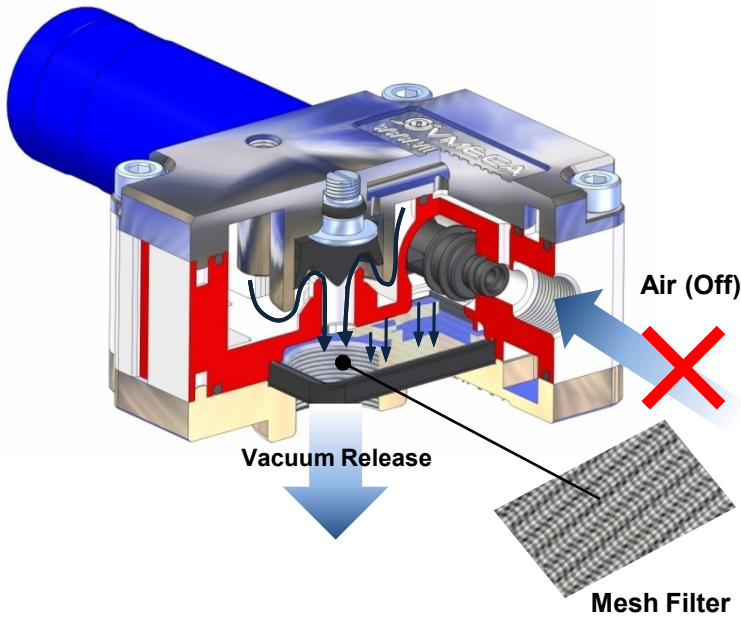
Structure of Quick Release Vacuum Pump

VMECA Vacuum Speeder VQ Series is suitable for an application which is required fast installation, easy maintenance and limited workspace.

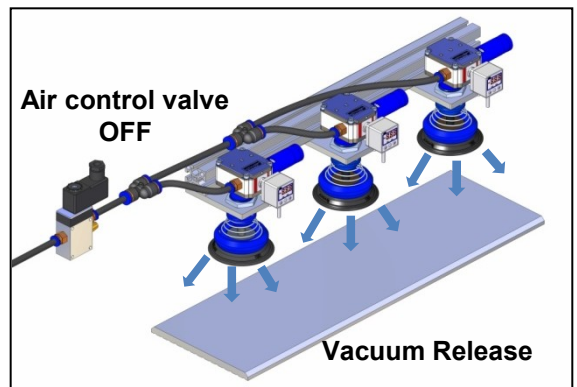


Quick Vacuum Release – Fast Response Time

When compressed air is cut off, the vacuum generating is stopped. At the same time the compressed air blows off to outside from the pump's chamber. At that moment the vacuum filter is automatically cleaned by this air blown.



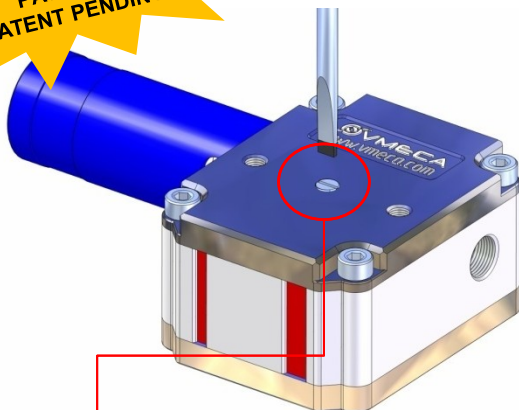
Filter Cleaning



Adjustable Vacuum Release Air-Flow

The vacuum release air flow can be adjusted by adjustable release air-flow screw. Depend on the weight/feature of the work piece; the release air-flow is adjustable for effective operations.

PATENT & PATENT PENDING



Adjustable Vacuum Release Air-flow screw

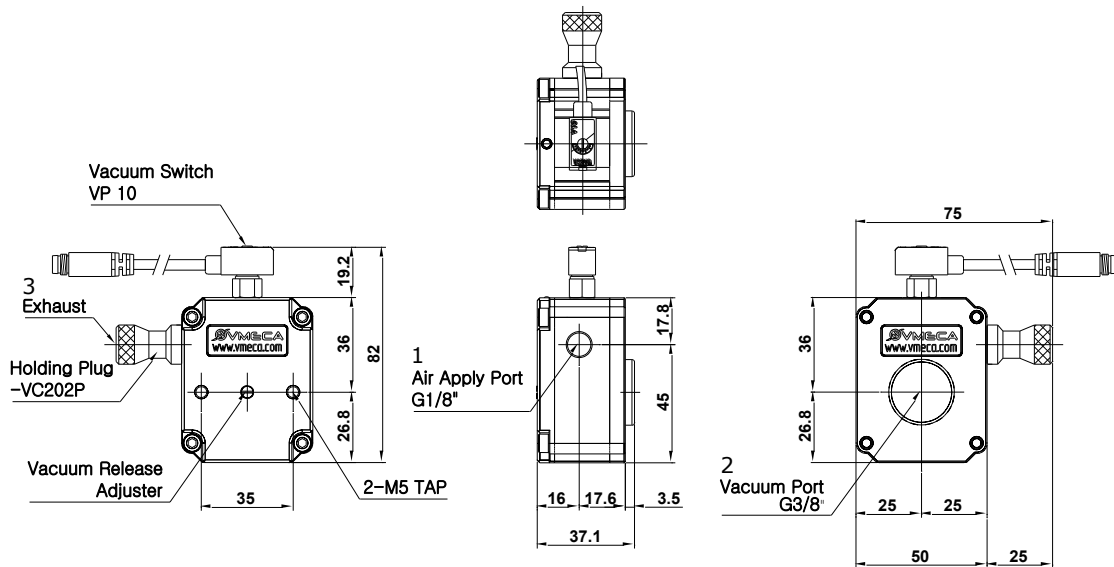
Clockwise rotation : Decreasing release air flow



Counterclockwise rotation : Increasing release air flow

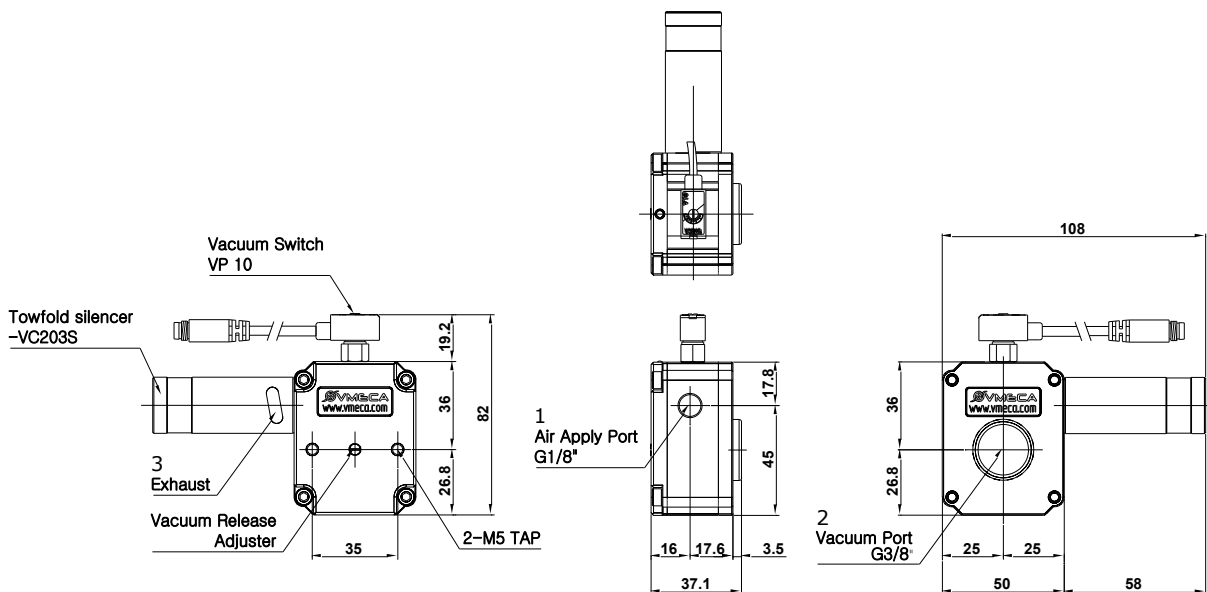
Dimensional Information

VQ20SP – 38F – S...



[Measure unit: mm]

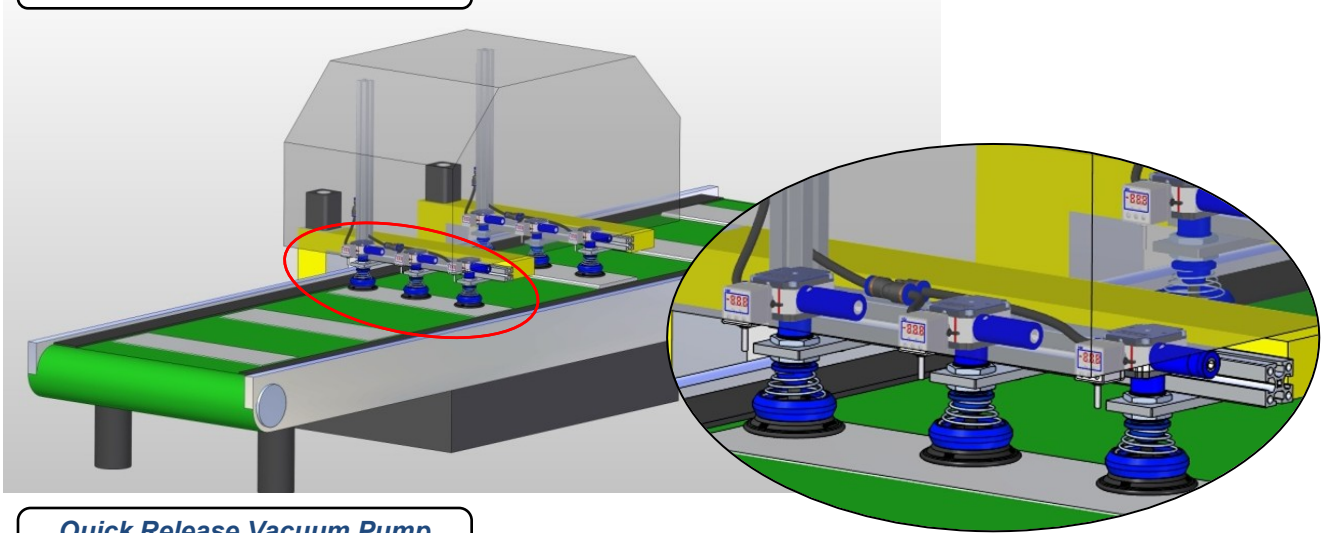
VQ203S – 38F – S2...



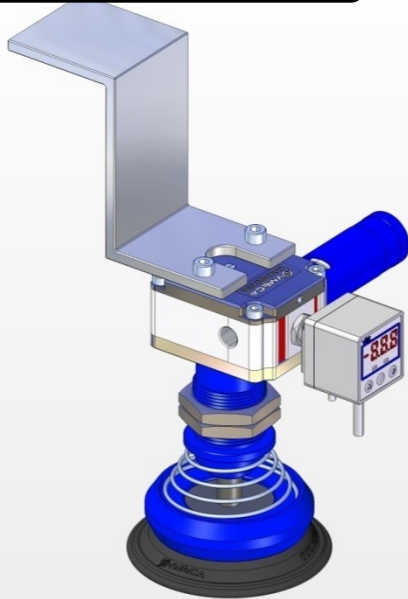
[Measure unit: mm]

Applications

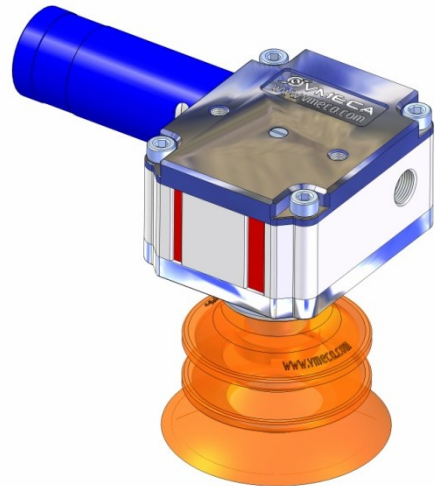
Operation in limited space



Quick Release Vacuum Pump + Smart Suction Cup



Quick Release Vacuum Pump + Suction Pad



Quick Release Vacuum Pump + Smart Suction Cup

